

CONVERTER

PMC

The Model PMC accepts 2- or 3-wire potentiometer value of 100 up to 100K and provides isolated DC outputs.

- Linearization available.
- Free input range.

ORDERING INFORMATION

Specify code number and variables.

- Code no. : PMC-Model/Input/Output1/Output2-Power
(Ex : PMC-4A8N-X)
- Special Output Range (Ex. 0~20mA)

GENERAL SPECIFICATIONS

- Housing Material : Plastic ABS(Resin) Black
- Isolation : Input to Output to Power
- Adjustment : Zero & Span(Separation) $\pm 30\%$ of F.S
- Display : 3 digits



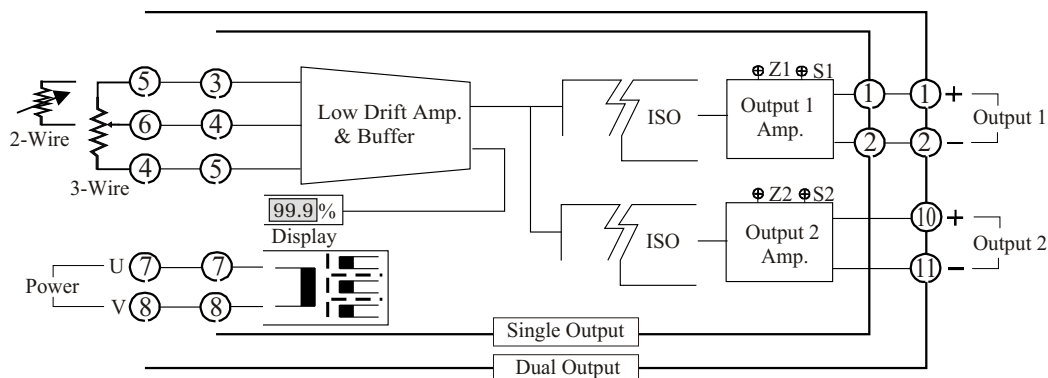
INSTALLATION

- Power Supply : AC 100~120V or 200~230V / 60Hz (about 3VA), DC 18~30V (about 3Watts)
- Operating Temperature : -5 ~ +55 °C
- Operating Humidity : 90% RH max. (Non-condensing)
- Mounting : Wall or Rail mounting (Plug-in Type)
- Dimension : 52(W) X 77(H) X 112(D) (Unit : mm)
- Weight : about 400g

PERFORMANCE

- Accuracy : $\pm 0.1\%$ LESS(F.S) at 23 °C
- Temperature Coefficient : $\pm 0.015\%$ / °C
- Response Time : 0.5 Sec or less (0~90%), Normal
- Input Range : 100 ~ 100 K (Free : 3-Wire only)
- Insulation Resistance : 100 M or More with 500V DC between Input / Output / Power
- Dielectric Strength : 1500V AC 0.5 mA / Min (Input to Output to Power)
- Display Range : -99 to 999 (Available Decimal Point)
- Unit : %, V, A, mV, mA, etc.

SCHEMATIC CIRCUIT & CONNECTION DIAGRAM



Isolated potentiometer / DC

MODEL & SUFFIX CODE

PMC-□□□□-□

Model Type Selection

- 2 : 1 Output with Display
- 4 : 1 Output without Display
- 7 : 2 Outputs with Display
- 9 : 2 Outputs without Display

Input Type & Range Selection

- A : 100 ~ 100 K
- R : Other Special Spec.

Output Type & Range Selection (Available for Output 1 & Output 2)

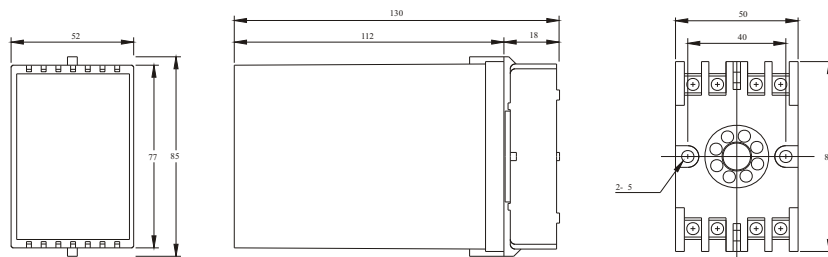
- 1 : DC 0~10mV (Load Resistance : 10 K or more)
- 2 : DC 0~100mV (Load Resistance : 100 K or more)
- 3 : DC 0~5V (Load Resistance : 5 K or more)
- 4 : DC 0~10V (Load Resistance : 10 K or more)
- 5 : DC 1~5V (Load Resistance : 5 K or more)
- 6 : DC 0~1mA (Load Resistance : 0~15 K)
- 7 : DC 0~20mA (Load Resistance : 0~750)
- 8 : DC 4~20mA (Load Resistance : 0~750)
- R : Other Special Spec.
- N : Not Used

Power Supply

- W : AC 200~230V for 60 Hz
- X : AC 100~120V for 60 Hz
- Y : DC 18~30V
- Z : Other Special Spec.

DIMENSION

(1 Output)



(2 Output)

