

The Model SL-IPD supplies Power to 2-wire single loop system in functioning at the same time as a isolator.

## ORDERING INFORMATION

Specify code number and variables.

- Code No. : SL-IPD-Input / Output-Power  
(EX. SL-IPD-A1-Y)
- Specify special Output Range (Ex. 0~5 mA)

## GENERAL SPECIFICATIONS

- Housing Material : Plastic ABS(Resin) Gray
- Isolation : Input to Output to Power
- Easy Calibration of the Gain (Max.  $\pm 40\%$  of F.S) and Offset(Max.  $\pm 20\%$  of F.S).
- Triple Isolation for using on input & output of the PLC.



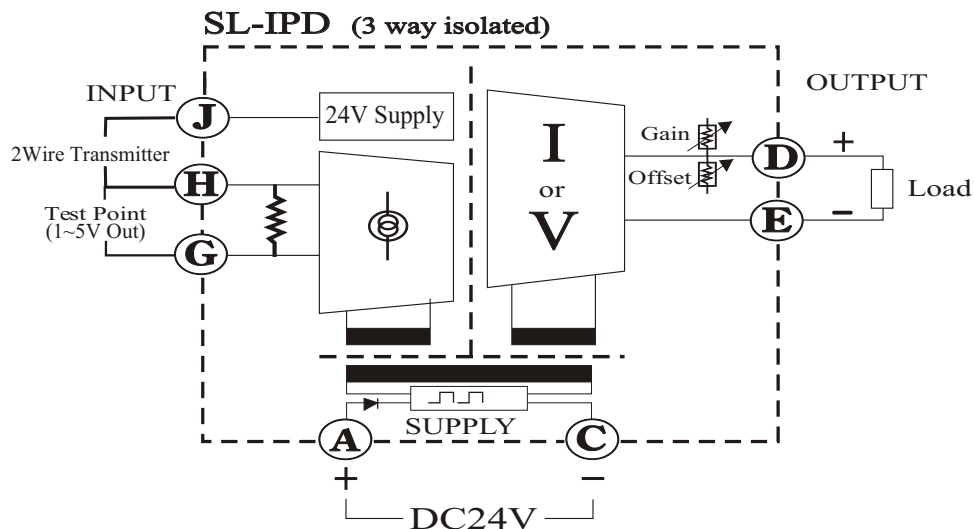
## INSTALLATION

- Power Supply : DC 22~29V (Max. Current : 100 mA) - Reverse Polarity protected
- Operating Temperature : 0 ~ 40 °C (Storage : -20 ~ 70 °C)
- Operating Humidity : 90% RH max. (Non-condensing)
- Mounting : Rail Mounting
- Dimension : 22.5(W) X 75(H) X 107(D) (Unit : mm)
- Weight : about 120g

## PERFORMANCE

- Accuracy :  $\pm 0.1\%$  LESS(F.S) at 23 °C
- Temperature Coefficient :  $\pm 0.015\%$  / °C
- Response Time : 0.1 Sec or less (0~90%), Normal
- Insulation Resistance : 100 M  $\Omega$  or more with 500V DC between Input / Output / Power
- Dielectric Strength : 1500V AC 0.5 mA / Min (Input to Output to Power)

## SCHEMATIC CIRCUIT & CONNECTION DIAGRAM



# Isolated looped power / DC

## MODEL & SUFFIX CODE

SL-IPD-□□-□

### Input Type & Range Selection

A : 2-wire Current Loop with 24V Power Supply  
R : Other Special Spec.

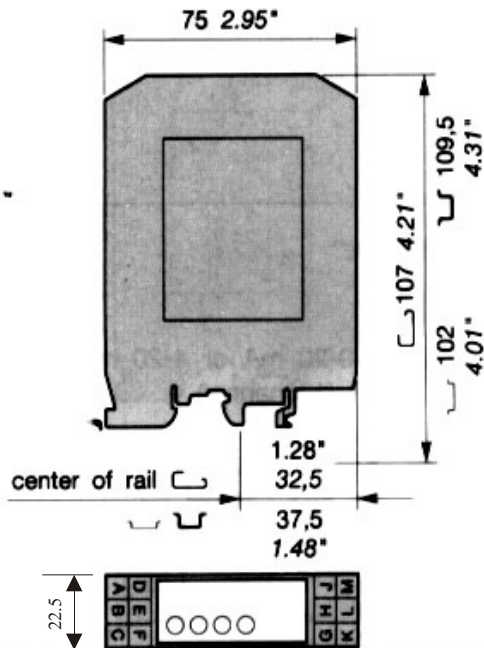
### Output Type & Range Selection (Precision : 750 or less)

1 : DC 0~5V  
2 : DC 1~5V  
3 : DC 0~20mA  
4 : DC 4~20mA  
R : Other Special Spec.

### Power Supply

Y : DC 18~30V  
Z : Other Special Spec.

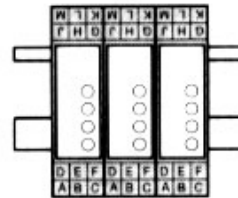
## DIMENSION & MOUNTING METHOD



Spacing 22.5 mm .886"

### INSTALLATION

Horizontal  
mounting advised



No vertical mounting

