

The Model SL-PMC accepts 2- or 3-Wire potentiometer value of 470 up to 100K and provides isolated DC Output.  
 - Linearization available.  
 - Free Input Range.

## ORDERING INFORMATION

Specify code number and variables.  
 - Code No. : SL-PMC-Model/Input / Output-Power  
 (EX. SL-PMC-2A1-Y)  
 - Specify special Output Range (Ex. 0~5 mA)

## GENERAL SPECIFICATIONS

- Housing Material : Plastic ABS(Resin) Gray  
 - Isolation : Input to Output to Power  
 - Easy Calibration of the Gain (Max.  $\pm 40\%$  of F.S) and Offset(Max.  $\pm 20\%$  of F.S).  
 - Triple Isolation for using on input & output of the PLC.



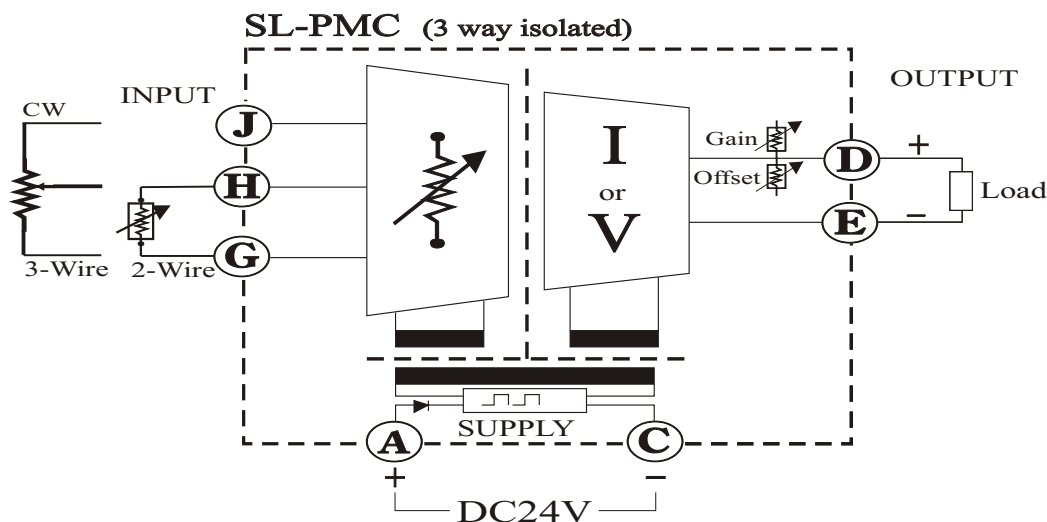
## INSTALLATION

- Power Supply : DC 22~29V (Max. Current : 100 mA) - Reverse Polarity protected  
 - Operating Temperature : 0 ~ 40 °C (Storage : -20 ~ 70 °C)  
 - Operating Humidity : 90% RH max. (Non-condensing)  
 - Mounting : Rail Mounting  
 - Dimension : 22.5(W) X 75(H) X 107(D) (Unit : mm)  
 - Weight : about 120g

## PERFORMANCE

- Accuracy :  $\pm 0.1\%$  LESS(F.S) at 23 °C  
 - Temperature Coefficient :  $\pm 0.015\%$  / °C  
 - Response Time : 0.1 Sec or less (0~90%), Normal  
 - Insulation Resistance : 100 M or more with 500V DC between Input / Output / Power  
 - Dielectric Strength : 1500V AC 0.5 mA / Min (Input to Output to Power)

## SCHEMATIC CIRCUIT & CONNECTION DIAGRAM



# Isolated potentiometer / DC

## MODEL & SUFFIX CODE

SL-PMC- □□□ - □

### Model Type Selection

- 1 : 2-Wire Potentiometer Input
- 2 : 3-Wire Potentiometer Input

### Input Type & Range Selection

- A : 100 ~ 100K
- R : Other Special Spec.

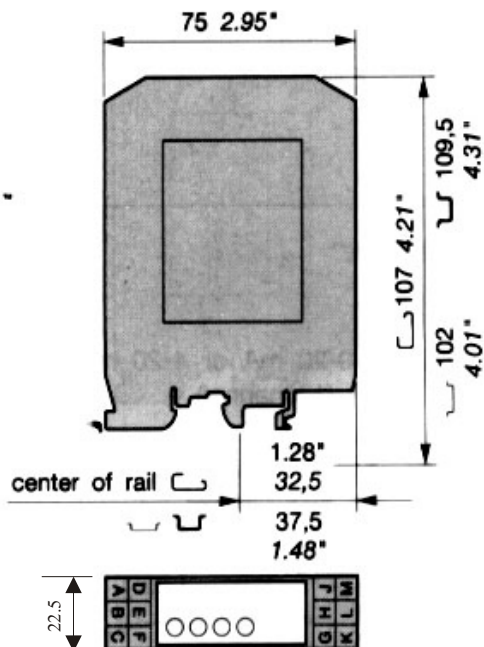
### Output Type & Range Selection (Precision : 750 or less)

- 1 : DC 0~5V
- 2 : DC 1~5V
- 3 : DC 0~20mA
- 4 : DC 4~20mA
- R : Other Special Spec.

### Power Supply

- Y : DC 18~30V
- Z : Other Special Spec.

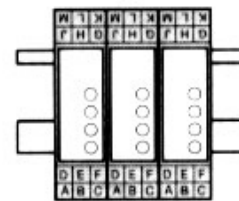
## DIMENSION & MOUNTING METHOD



Spacing 22.5 mm .886"

### INSTALLATION

Horizontal mounting advised



No vertical mounting

