

# DISTRIBUTOR

## Multi-CONVERTER

- \* Isolated one input to five outputs.
- \* Isolated output to output.
- \* Wall mount type slim unit.
- \* Wide input range.
- \* Screw terminals access on the front face.
- \* High quality, Low cost.

### GENERAL DESCRIPTIONS

The DST Units are ideal for remote transmission of sensor signals on site to the central control equipment.  
Up to 5 point outputs in the DST units.

### COMMON SPECIFICATIONS

Construction	: Wall-mounted ; terminal access on front face.
Wiring	: Screw terminals
Housing material	: AL(Aluminum) BLACK
Power supply	: AC110V / 220V , DC24 V
Operating temperature	: -5 to 60 'C (23 to 140 'F)
Operating humidity	: 10 ~ 90 % RH (non-condensing)
Isolation	: Input to each Outputs, Input to Power source, Output to Output,Outputs to Power source
Mounting	: Wall-mounting
Dimension	: W40 x H180 x D145mm
Size of mounting hole	: 5 x 5 mm

### FUNCTION & MODEL NUMBER

#### SENSOR INPUTS

DC Signal transmitter .....	DSTD
Current loop supply .....	DSTI
RTD Transmitter .....	DSTR
Themocouple transmitter .....	DSTT
Potentiometer transmitter .....	DSTP



# Multi Point Outputs

## MODEL & SUFFIX CODE(Muti-output)

DST-□□□

### INPUT

D : DC Signal input  
R : RTD Input  
P : Potentiometer Input

I : Current loop supply(isolated)  
T : Thermocouple Input  
O : Other Input

### Channel of OUTPUTS

3 : 3 channel output  
5 : 5 channel output

4 : 4 channel output

### POWER SOURCE

X : AC 110V / 220V 50/60Hz  
Y : DC 24V

## MODEL & SUFFIX CODE(Muti-channels)

DSTM-□□-□□-□□-□

### INPUT

D : DC Signal input  
A : Current(mA)  
P : Potentiometer Input

I : Current loop supply(isolated)  
R : RTD input  
O : Other Input

### Channel of OUTPUTS

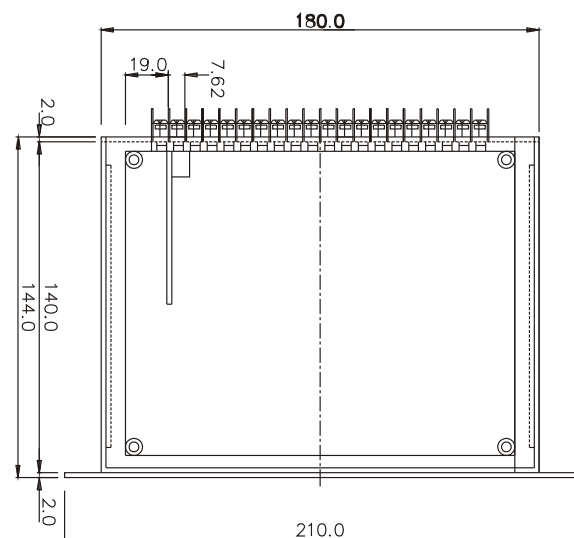
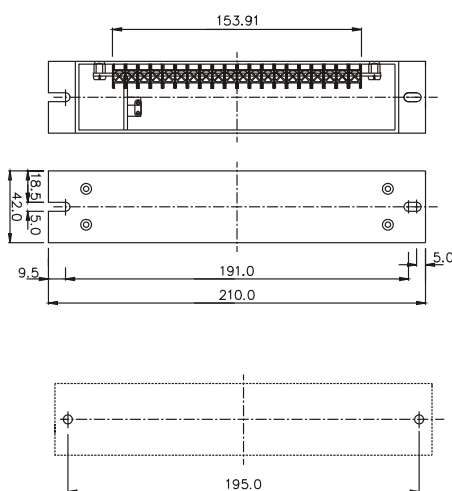
V : Voltage(1~5V DC)  
O : other output

I : Current(4~20mA DC)

### POWER SOURCE

X : AC 110V / 220V 50/60Hz  
Y : DC 24V

## DIMENSIONS [mm]



## ISOLATED SIGNAL TRANSMITTER &amp; DISTRIBUTOR

The signal distributor Model DST□ Unit accepts a wide range of processing input signal and provides maximum five isolated,proportional DC outputs.

## ORDERING INFORMATION

Specify code number and variables

@Code number : DSTD-Input channel number of output-Power(e.g. DSTD-5-X)

@Special input,outputs range : CODE,input,output1,output2,output3.)

(e.g. DSTD-5-X, 4-20mA, 1-5V, 1-5V, 4-20mA)

## PERFORMANCE

Transmitter accuracy : +- 0.2 % of FS

Temp. Coefficient : +- 0.015 % / 'C

Response time : 0.5 Seconds or Less(0-90 %)

Insulation resistance : 100 MOhm or more with 500V DC

Dielectric strength : 1000V AC @ 1 minute (input to output to ground)

## INPUT &amp; OUTPUT

## INPUT

DC voltage : 0 - 300 VDC Minimum span : 10 mV

DC current : resister incorporated

PMC & RTD

	Input	Impedance		Input	Resistance
DC voltage	0 - 10 mV	10 KOhm or more	DC current	4 - 20 mA	250 Ohm
	0 - 100 mV	100 KOhm or more		10 - 50 mA	100 Ohm
	0 - 10 V	1 MOhm or more		0 - 1 mA	1000 Ohm
	≥ 12 V	2.5 KOhm / V			
PMC	input : 100 Ohm ~ 100 KOhm		RTD	input : -200 ~ 600 'C	

## OUTPUT

DC current

OUTPUT	LOAD RESISTANCE	IMPEDANCE
4 - 20 mA	0 - 500 Ohm	5 MOhm or more
0 - 20 mA		
0 - 10 mA	0 - 1000 Ohm	
0 - 1 mA	0 - 10 KOhm	

# Multi channels

DC voltage

OUTPUT	LOAD RESISTANCE	IMPEDANCE
0 - 10 mV	10 KOhm or more	10 Ohm or less
0 - 100 mV	100 KOhm or more	100 Ohm or less
0 - 5 V	1 KOhm or more	0.1 Ohm or less
0 - 10 V	10 KOhm or more	

## SCHEMATIC CIRCUITRY & CONNECTION DIAGRAM

