

The Model AS accepts a large variety of analog inputs, and outputs maximum 4 alarms.

**ORDERING INFORMATION**

Specify code number and variables.

- Code no. : AS-Model/Input/Output-Power (Ex. AS-4B4-X)
- Special Input Range (Ex. 0~100mV)
- Special Output Type (Ex. SSR or O.C)

**GENERAL SPECIFICATIONS**

- Housing Material : Plastic ABS(Polycarbonate) Black
- Isolation : Input to Output to Power
- Adjustment : Zero & Span(Separation)  $\pm 10\%$  of F.S  
H/L 2 Points, H/L 4 Points, High 4 Points, Low 4 Points setting of F.S
- Display : 4 digits



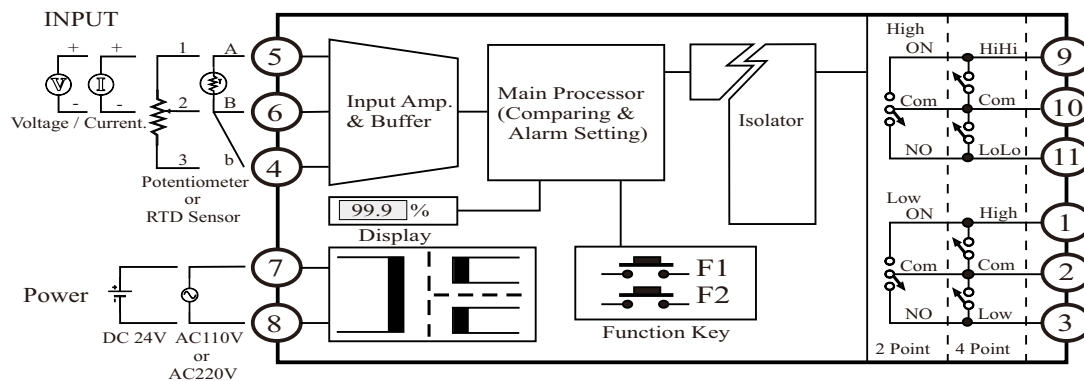
**INSTALLATION**

- Power Supply : AC 100~120V or 200~230V / 60Hz (about 3VA), DC 18~30V (about 3Watts)
- Operating Temperature : -5 ~ +55 °C
- Operating Humidity : 90% RH max. (Non-condensing)
- Mounting : Wall or Rail mounting (Plug-in Type)
- Dimension : 52(W) X 77(H) X 112(D) (Unit : mm)
- Weight : about 400g

**PERFORMANCE**

- Accuracy :  $\pm 0.1\%$  Full Scale
- Temperature Coefficient :  $\pm 0.015\%$  / °C
- Response Time : 0.5 Sec or less (0~90%), Normal
- Insulation Resistance : 100 MΩ or more with 500V DC between Input / Output / Power
- Dielectric Strength : 1500V AC 0.5 mA/Min (Input to Output to Power)
- Display Range : -1999 to 9999 (Available Decimal Point)
- Hysterisis (Dead-band) :  $\pm 10\%$  of Full Scale

**SCHEMATIC CIRCUIT & CONNECTION DIAGRAM**



# Isolated Alarm Setter

## MODEL & SUFFIX CODE

AS-□□□-□

### Model Type Selection

- 2 : 2 Output
- 4 : 4 Outputs

### Input Type & Range Selection

- |                          |                   |
|--------------------------|-------------------|
| A : DC Voltage           | B : DC Current    |
| C : AC Voltage           | D : AC Current    |
| E : RTD Sensor (Pt 100Ω) | G : Potentiometer |
| R : Other Special Spec.  |                   |

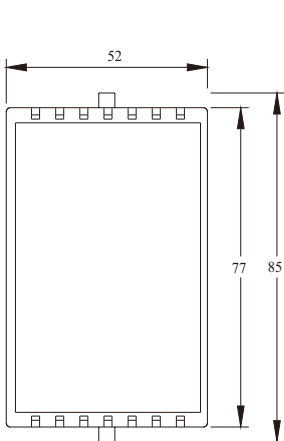
### Output Type & Range Selection

- 1 : SPDT 1 Point (Hi or Lo)
- 2 : SPDT 2 Point (H/L or High 2 Points or Low 2 Points)
- 3 : SPST 3 Point (H & L & HH or LL)
- 4 : SPST 4 Point (H/L 4 Points or High 4 Points or Low 4 Points)
- R : Other Special Spec. (O.C or SSR, etc.)

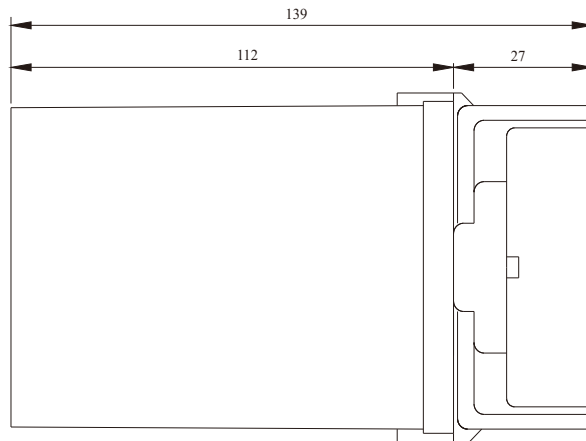
### Power Supply

- W : AC 200~230V for 60 Hz
- X : AC 100~120V for 60 Hz
- Y : DC 18~30V
- Z : Other Special Spec.

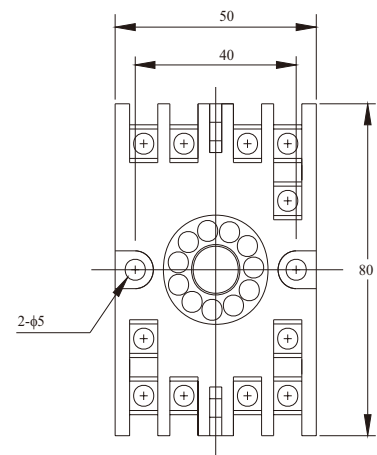
## DIMENSION



(Front View)



(Side View)



(11 Pin Socket)